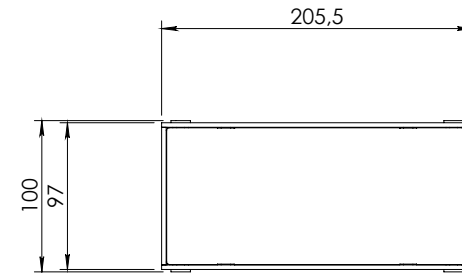
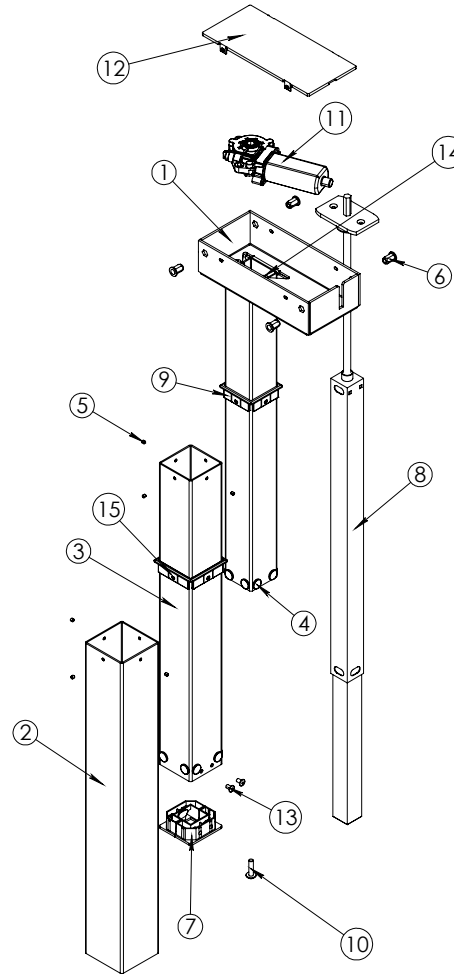
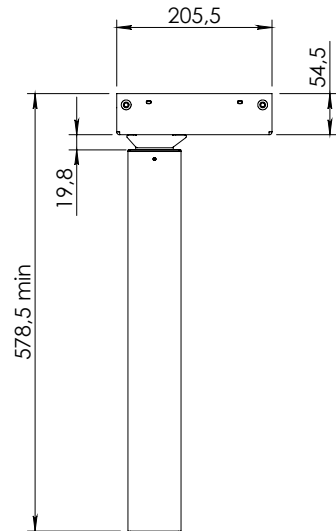
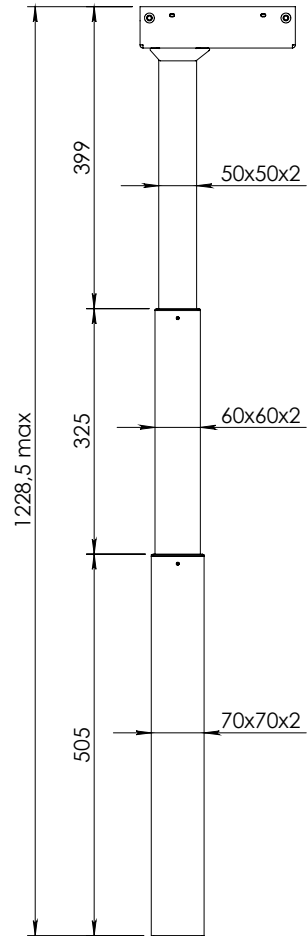


All information shown on this drawing is proprietary, confidential, and the exclusive property of MEDZES COMPONENTS SIA



ITEM NO.	PART NUMBER	QTY.
1	MC-SQ16-1	1
2	MC-SQ13-2	1
3	MC-SQ13-03	1
4	201024	16
5	DIN 913 M4x3	8
6	FTTE-M6	4
7	MC-SQ19-06_DFM_03	2
8	ZZQ-LZ04A-TB-525-650	1
9	MC-SQ1-13	1
10	BN20040	1
11	40 ZYJ001	1
12	ABS Cover	1
13	200864	4
14	DIN 7991 M5x8	2
15	MC-SQ1-14	1

<b>MEDZES COMPONENTS</b>		Date: 07.07.2020		Client: <b>Medzes Components</b>		A-CAT-PRO	
Drawn by: <b>EG</b>	Sheet no: 1 of 3	Scale: 1:10	Projection type: 	Material: Thicknes:		Weight: 7.49 kg	
Drawing No. : MC-SQ16		Description: Telescopic leg FRS				Surface end treatment	
						Paint	Chrom
							Zinc